

WISI VX 29 B

Compact Line CATV Amplifier, remote power

ELPAS



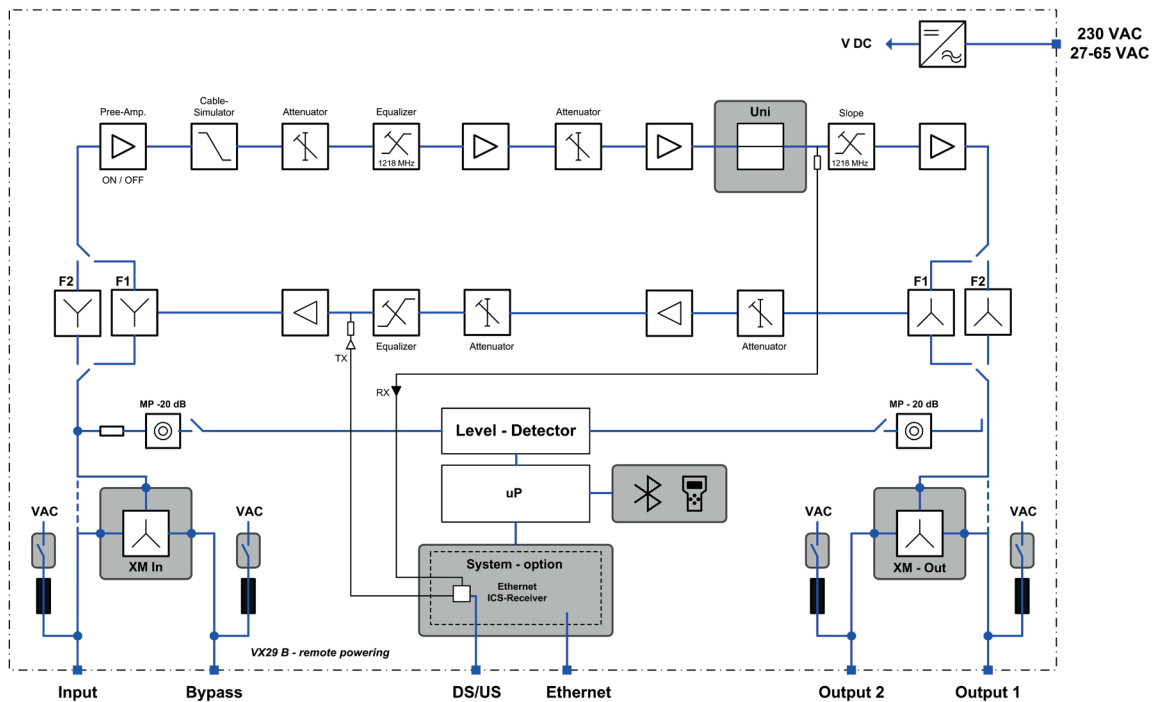
At a glance:

- High output level up to 1,2 GHz
- All settings (Gain,slope etc.) via WISI bluetooth App
- WISI Flex Access technology, automatic frequency range switch
- Integrated diplex filter (65 MHz und 204 MHz) and Return path amplifier
- Automatic Level and Slope Control (ALSC)
- Optional - Receiver for ICS-Settings (EN60728-14)
- Input and output useable with pluggable splitter and TAP module



Description

The VX 29 B is a remote powered in-house amplifier, programmable via Bluetooth with a frequency range up to 1,2 GHz. It features an active output and a measurement socket on the in- and output. Pluggable modules at the input and output enable a perfect adaption to the installation concept. For example is a module for a second output available, optional as splitter or TAP. The whole range of functions(damping,slope, equalizer etc.) can be configured via bluetooth. Diplex filter 65 MHz and 204 MHz are already integrated and can be chosen by bluetooth. The WISI Flex access technology identifies forward- and return path and configures the diplex settings automatically. The VX 29 B enables the switch to DOCSIS 3.1, without any manual change of the settings on the amplifier.



WISI Communications GmbH & Co. KG

Wilhelm-Sihn-Str. 5-7
75223 Niefern - Oeschelbronn, Germany

Phone: +49 7233 66-280, Fax: -350
E-Mail: export@wisi.de

Technical Modifications reserved. WISI cannot be held liable for any printing error. 5. Juli 2018, 4:05 nachm.

Technical data

Down-Stream / DS

Frequency range	85...1218/ 258...1218 MHz (F1/F2)
Noise figure	≤ 8 dB
Gain	42 dB (±1 dB)
Frequency ripple	≤ ±0,75 dB
Preamp	0/10 dB
Input cable simulator	0/5/10 dB
Input attenuator	0...20 dB (0,5 dB steps)
Input equalizer	0...30 dB (1 dB step)
Interstage attenuator	0/4/8/12 dB
Interstage Slope	0...14 dB (1 dB step)
Output level	115 dBμV (CENELEC 42 Ch. (CSO/CTB ≥ 60 dB), flat)
Output level	118 dBμV (CENELEC 42 Ch. (CSO/CTB ≥ 60 dB), 9 dB slope @ 862 MHz)
Output level	108 dBμV (all QAM (138 x 256 QAM), BER <1e-9, flat)
Output level	111 dBμV (all QAM (138 x 256 QAM), EN60728-3-1, 12 dB slope @ 1218 MHz)
Input test point (bidirectional)	-20 dB (±2,5 dB)
Output test point (directional coupler)	-20 dB (±0,75 dB)

Upstream (US)

Frequency range	5...65/5...204 MHz (F1/F2)
Gain	32 dB
Frequency response	≤ ±0,75 dB
Input attenuator	0...15 dB (0,5 dB steps)
Interstage attenuator	0...15 dB (0,5 dB steps)
Interstage equalizer	0...15 dB (1 dB step)
Noise figure	≤ 7 dB
Output level	108 dBμV (all QAM (24 x 256 QAM), BER <1E-9, US 204 MHz)
Output level	114 dBμV (all QAM (6 x 256 QAM), BER <1E-9, US 65 MHz)
Output level	120 dBμV (1TTS140)
Ingress Control Switch (ICS)	0/ -6/ <-45 dB (Opt.with Receiver-mod)

General data

RF connectors	PG11
Impedance	75 Ω
In/Output return loss	5...40 MHz ≥18 dB, >40 MHz -1,5 dB/Oct
Supply voltage	27...65 V AC
Surge protection power supply	6 kV (1,2/50 μs pulse EN61000-4-5)
Power consumption	max. 20 W
Remote power current insertion	< 10 A

Technical data

Remote power current in and outputs	< 10 A
Hum modulation @ 7A, f > 15 MHz	> 62 dB
Ambient temperature	-20...+65 °C
Protection class	IP66
EMC	EN50083-2
Surge protection RF Ports	6 kV (1,2/50 μs pulse EN61000-4-5)
Dimensions (width x height x depth)	260 x 215 x 95 mm
Bluetooth functionality	
Downstream configuration	input preamp, input cable sim, input attenuator, input equalizer, interstage attenuator, interstage slope, attenuation mode
Upstream configuration	Input attenuator, Interstage attenuator, Interstage equalizer, ICS
Options	splitter / coupler -> XM..., ICS-Receiver -> Receiver according to EN60728-14, UNI - UHF Slope -> XE...

Packaging data

EAN	4010056755263
Article number	75526

VX 29 B X X X

Monitoring functionality:

- 0 – Default (no functionality)
- 1 – Incl. Ethernet
- 2 – Incl. Ethernet + RF
- 3 – Incl. FSK module

Diplex filters:

- 6 – 65 / 204 MHz
- 8 – 85 / 204 MHz

Output Power:

- L – 115 dBμV CENELEC 42 (Low output power)
- H – 118 dBμV CENELEC 42 (High output power)