



INCA 4400

WISI Inca Modular Series

The modular platform for Intelligent Video Delivery



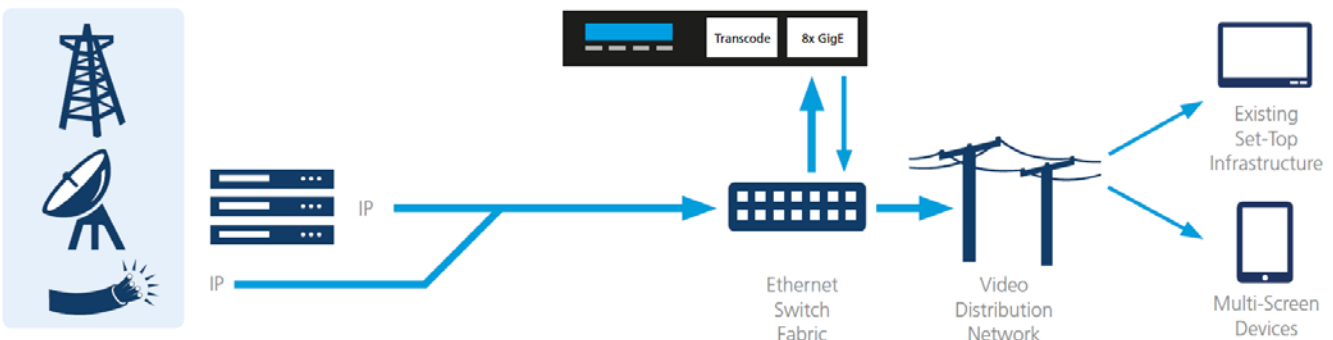
The Inca 4400 Modular Series features flexibility with processing modules and high-capacity network interfaces. With the 4400 series you can optimize the format, resolution and bitrate for large numbers of live satellite, IP and off-air digital sources for delivery to set-top-boxes or multi-screen devices.

Options include modular platforms with up to three bays that can transcode, transrate or downscale up to 36 HD or 90 SD programs to MPEG-4, in just one rack unit of space, with integrated grooming and monitoring of all streams.

The Inca 4400 Modular Series allows you to scale your infrastructure and easily add capacity as your business grows, reducing capital and operating expenses

- VIDIOS™
- MODULAR FLEXIBILITY, GigE
- HIGH DENSITY LINEAR TRANSCODING
- MULTI-PROFILE ABR

4400 Modular Transcoder
Up to 36x HD->HD/SD
Up to 90x SD->SD
Adaptive Bit Rate

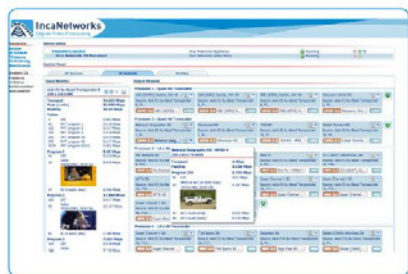


INCA 4400

WISI Inca Modular Series

Applications

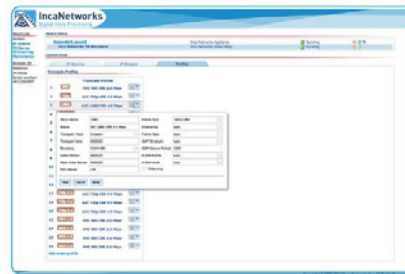
- Affordably meet IP video processing needs with product configurations for requirements of all sizes, and input options for IP.
- Enable efficient HD and SD IP video distribution over DSL and cable networks by transcoding high bit rate MPEG-2 or MPEG-4 AVC sources to optimized MPEG-4 AVC.
- Create multiple frame-aligned video streams for adaptive bit rate delivery to multi-screen devices.
- Enjoy powerful VidiOST™ management and troubleshooting tools with inbound and outbound video thumbnails, stream capture and download, extensive statistical analysis, and stream logging.
- Enable full headend visibility with included probe capability and integration with the Inca All Seeing Eye monitoring system.
- Ensure seamless compatibility with existing systems, with easy-to-use VidiOST™ controls for specifying output stream parameters.
- Optimize high bit rate single- and multi-program streams from satellite receivers, and IP sources for your IP video network, using robust VidiOST™ tools for demultiplexing, program extraction and remapping.
- Efficiently receive all your local broadcast channels, including all primary HD and secondary SD sub-channels, and transcode them for delivery over DSL, cable and over-the-top networks.
- Maintain flexibility and save money by using existing legacy video equipment to support the upgrade to digital; keep your analog RF network in place.



IP Sources



IP Outputs



Transcode Profiles

INCA 4400

WISI Inca Modular Series

Technical Information

	4410	4420	4430
Expansion Module Bays	1	2	3
Hardware Transcoding - Linear	Up to 12x HD, 30x SD sources	Up to 24x HD, 60x SD sources	Up to 36x HD, 90x SD sources
Hardware Transcoding - ABR	Up to 24x Profiles	Up to 48x Profiles	Up to 72x Profiles

VidiOS™ Transport Stream Processing			
Input and Output	MPEG-2 SPTS/MPTS Transport Stream input, SPTS Output HD & SD, MPEG-2 & MPEG 4 AVC Payload Multicast / Unicast UDP IP		
Input Streams	30	60	90
PID and Program Filter and Remap	YES	YES	YES
Jitter Correction	YES	YES	YES
Strip Null Padding	YES	YES	YES
Multiplex Modes	Constant, Variable, Peak	Constant, Variable, Peak	Constant, Variable, Peak
TS Mux Rate VBR <--> CBR Conversion	YES	YES	YES

Management			
VidiOS™ Web Based User Interface	YES	YES	YES
Inca All Seeing Eye Probe Capability	Included	Included	Included
SNMP Trap Forwarding	YES	YES	YES

Network Interfaces			
Management	1000 Base-T	1000 Base-T	1000 Base-T
Video	5x 1000 Base-T	7x 1000 Base-T	8x 1000 Base-T standard 2x 10 Gig SFP + optional

Power			
Type	Single	Dual Redundant Hot Swap	Dual Redundant Hot Swap
Input	100 ~ 240 VAC @ 50 - 60 Hz	100 ~ 240 VAC @ 50 - 60 Hz	100 ~ 240 VAC @ 50 - 60 Hz
Power	<75 W Typical	<120 W Typical	<250 W Typical

Physical			
Mounting	19", 2 or 4 Post Rack, 1 RU	19", 4 Post Rack, 1 RU Slide Rails Included	19", 4 Post Rack, 1 RU Slide Rails Included
Dimensions	431 x 44 x 305 mm 19" x 1.75" x 12"	431 x 44 x 468 mm 19" x 1.75" x 18.4"	438 x 44 x 580 mm 19" x 1.75" x 22.8"
Rack Rail-Rail Depth Weight	N/A	22" ~ 36.5"	620 ~ 805 mm ¹ 24.4" ~ 31.8"
Weight	4 kg / 8.8 lb	7 kg / 15.4 lb	16 kg / 35.3 lb
Operating Temperature	0 ~ 40 C	0 ~ 40 C	0 ~ 40 C

Regulatory Compliance			
EMC Standards	FCC Part 15 Class A	FCC Part 15 Class A	FCC Part 15 Class A

INCA 4400

WISI Inca Modular Series

Licensing and Modules

Demux	
Output Streams, demux only IP/IP	10

HARDWARE TRANSCODE MODULE

Video					
Hardware Based Transcode/ Transrate/Downscale	Linear - Up to 12x HD or 30x SD sources Adaptive Bitrate - Up to 24 Profiles				
Codecs	MPEG-2 and MPEG-4 AVC, 4:2:0				
Resolutions - Linear Source	1920x1080i30/i25 1440x1080i30/i25 1280x720p60/p50 720x480i30 720x576i25				
Resolutions - Linear Output	<table border="1"> <tr> <td>1920x1080i30/i25 1440x1080i30/i25 1280x720p60/p50 1280x720p30/p25</td> <td>720x576i25 720x480i30/i25 720x480p30/p25 640x480p30/p25</td> <td>352x576i25 352x480i30/i25 352x288p25 320x576i25</td> <td>320x480i30/i25 320x288p25 352x240p30/p25 320x240p30/p25 320x180p15/p12</td> </tr> </table>	1920x1080i30/i25 1440x1080i30/i25 1280x720p60/p50 1280x720p30/p25	720x576i25 720x480i30/i25 720x480p30/p25 640x480p30/p25	352x576i25 352x480i30/i25 352x288p25 320x576i25	320x480i30/i25 320x288p25 352x240p30/p25 320x240p30/p25 320x180p15/p12
1920x1080i30/i25 1440x1080i30/i25 1280x720p60/p50 1280x720p30/p25	720x576i25 720x480i30/i25 720x480p30/p25 640x480p30/p25	352x576i25 352x480i30/i25 352x288p25 320x576i25	320x480i30/i25 320x288p25 352x240p30/p25 320x240p30/p25 320x180p15/p12		
Resolutions - Adaptive Bitrate Source	1920x1080i30/i25 1280x720p60/p50 720x480i30 720x576i25				
Resolutions - Adaptive Bitrate Output	<table border="1"> <tr> <td>1280x20p60/p50 1280x720p30/p25 1024x576p30/p25 960x540p30/p25 852x480p30/p25 768x432p30/p25 720x576p30/p25 720x404p30/p25 720x380p30/p25 704x576p30/p25 720x404p30/p25</td> <td>720x380p30/p25 704x576p30/p25 704x396p30/p25 640x480p30/p25 640x360p30/p25 576x324p30/p25 528x480p30/p25 512x288p30/p25 480x360p30/p25 480x320p30/p25 480x270p30/p25 416x240p30/p25</td> <td>400x300p30/p25 400x224p30/p25 384x216p30/p25 352x288p30/p25 320x240p30/p25 320x180p30/p25 288x162p30/p25 276x208p30/p25 256x144p30/p25 240x180p30/p25 240x160p30/p25 176x144p30/p25</td> <td>400x300p30/p25 400x224p30/p25 384x216p30/p25 352x288p30/p25 320x240p30/p25 320x180p30/p25 288x162p30/p25 276x208p30/p25 256x144p30/p25 240x180p30/p25 240x160p30/p25 176x144p30/p25</td> </tr> </table>	1280x20p60/p50 1280x720p30/p25 1024x576p30/p25 960x540p30/p25 852x480p30/p25 768x432p30/p25 720x576p30/p25 720x404p30/p25 720x380p30/p25 704x576p30/p25 720x404p30/p25	720x380p30/p25 704x576p30/p25 704x396p30/p25 640x480p30/p25 640x360p30/p25 576x324p30/p25 528x480p30/p25 512x288p30/p25 480x360p30/p25 480x320p30/p25 480x270p30/p25 416x240p30/p25	400x300p30/p25 400x224p30/p25 384x216p30/p25 352x288p30/p25 320x240p30/p25 320x180p30/p25 288x162p30/p25 276x208p30/p25 256x144p30/p25 240x180p30/p25 240x160p30/p25 176x144p30/p25	400x300p30/p25 400x224p30/p25 384x216p30/p25 352x288p30/p25 320x240p30/p25 320x180p30/p25 288x162p30/p25 276x208p30/p25 256x144p30/p25 240x180p30/p25 240x160p30/p25 176x144p30/p25
1280x20p60/p50 1280x720p30/p25 1024x576p30/p25 960x540p30/p25 852x480p30/p25 768x432p30/p25 720x576p30/p25 720x404p30/p25 720x380p30/p25 704x576p30/p25 720x404p30/p25	720x380p30/p25 704x576p30/p25 704x396p30/p25 640x480p30/p25 640x360p30/p25 576x324p30/p25 528x480p30/p25 512x288p30/p25 480x360p30/p25 480x320p30/p25 480x270p30/p25 416x240p30/p25	400x300p30/p25 400x224p30/p25 384x216p30/p25 352x288p30/p25 320x240p30/p25 320x180p30/p25 288x162p30/p25 276x208p30/p25 256x144p30/p25 240x180p30/p25 240x160p30/p25 176x144p30/p25	400x300p30/p25 400x224p30/p25 384x216p30/p25 352x288p30/p25 320x240p30/p25 320x180p30/p25 288x162p30/p25 276x208p30/p25 256x144p30/p25 240x180p30/p25 240x160p30/p25 176x144p30/p25		
Closed Captioning Pass-through	YES				
Audio					
Audio PID Pass-through	YES				

Technical modifications reserved. WISI cannot be held liable for any printing error.

