

EN The optical distribution box ORM 32 SDF is designed for splicing, connectors connection and placing the splitter up to 1:32. Patchcord reserves can be stored in the box. The box is ideal for FTtx application.

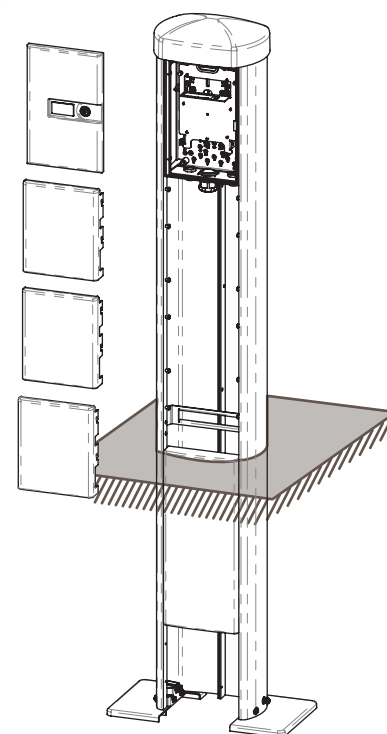
- ▶ Capacity up to 36 SC connectors
- ▶ Capacity up to 36 optical splices or 12 optical splices together with ABS splitter
- ▶ Possibility to place PLC splitter in tray or ABS box
- ▶ Possibility to place excess reserves into the holder
- ▶ Possibility of pillar version or on the pole
- ▶ Express port (bushing)
- ▶ 16× dividable rubber bushing 2× 1–3 mm for patchcords



ORM 32 SDF WITH ABS SPLITTER
AND 1× KM2 SPLICE TRAY



ORM 32 SDF
WITH 3× KM2 SPLICE TRAYS



TECHNICAL SPECIFICATIONS

Bushings	1× express port for 2× 3–11mm and 16× 1–3mm
Impact protection degree	IK 10 to EN 50102
Coverage degree	IP 54 to EN 60529
Self-extinguishing degree	V0 to UL 94
Solar radiation (UV)	EN 60068-2-5
Colour	Light grey RAL 7035
Material	PC/ABS, Santoprene, Al
Dimensions	319 × 205 × 118 mm / 1747 × 290 × 209 mm
Weight	3 kg / 12 kg

ORDER CODES

Order Code	Name
85DW.00/0000F	ORM 32 SDF 3×KM2
85DW.10/0000F	ORM 32 SDF ABS+1×KM2
85DW.20/0000F	ORM 32 SDF 3×KM2 SIS
85DW.25/0000F	ORM 32 SDF ABS+1×KM2 SIS

For other variants, please, contact our sales department.
Pre-installed versions available upon request.