

SNM 48 SIS, SNM 72 VS SIS SNM 144 VS SIS | OPTICAL PILLAR CLOSURE

ELPAS

YouTube



EN Optical overground closure SNM 48 SIS / 72 VS SIS / 144 VS SIS is designed for the termination of 48/72/144 optical splices outdoors. The distribution box is to be installed in an open space in trench. The plastic corpus of pillar is staffed by one SNM 48/72 distributor or by two SNM 72 distributors.

- ▶ Maximum capacity is 48/72/144 optical splices
- ▶ Plastic corpus
- ▶ Installation – separate pillar
- ▶ Possibility of shortened pillar version
- ▶ Placement of optical fiber reserve, length 2 m
- ▶ Cable holders
- ▶ Management rings
- ▶ PG Bushings

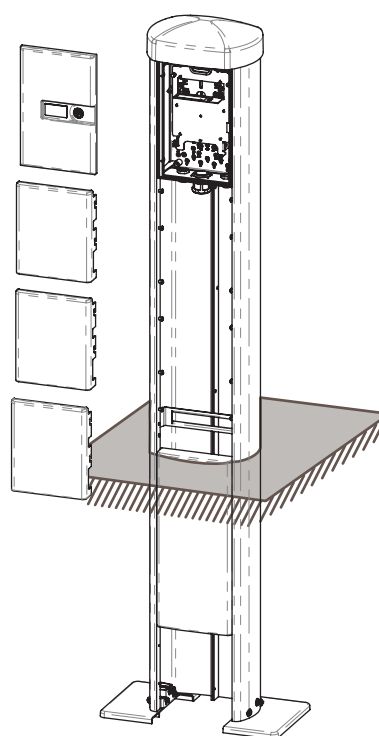


SNM 48 SIS

SNM 72 VS SIS



SNM 144 VS SIS



TECHNICAL SPECIFICATIONS

Bushings	4 × PG 13.5
Coverage degree	IP 54 to EN 60529
Self-extinguishing degree	V0 to UL 94
Impact protection degree	IK 10 to EN 50102
Solar radiation (UV)	EN 60068-2-5
Colour	Light grey RAL 7035
Material – distribution box	PVC, PC/ABS
Material – bushings	PA6
Material – metallic parts	Painted steel/aluminium
Dimensions	1747 × 290 × 209 mm
Weight	11 kg

RECOMMENDED ACCESSORIES

- Splice trays
- Splice holders
- Lid

Other accessories on the pages 064–072

ORDER CODES

Order Code	Name
85F0.10/0000F	SNM 48 SIS
85HC.20/0000F	SNM 72 VS SIS
85LG.10/0000F	SNM 144 VS SIS

For other variants, please, contact our sales department.